

FEATURES:

- Wide input range
- Continuous short-circuit protection, self recover
- I/O isolation voltage 1.5KV
- Working temperature: -40°C~+85°C
- No additional components required
- Stable performance and high reliability (MTBF≥1000K hours)
- Industry standard pin-out
- Metal case(plastic case optional)
- DIP package



Selection Guide

Part No.	INPUT		OUTPUT				CapacitiveLoad(μF)
	Normal (Vdc)	Range (Vdc)	Voltage (V1dc)	current (mA)	Voltage (V2dc)	current (mA)	
LD3-05S05A	5	4.5-9	5	600			
LD3-05S12A			12	250			
LD3-05S15A			15	200			
LD3-05S24A			24	125			
LD3-05D05A			±5	300	-5	300	
LD3-05D12A			±12	125	-12	125	
LD3-05D15A			±15	100	-15	100	
LD3-05D24A			±24	62.5	-24	62.5	
LD3-12S05A	12	9-18	5	600			
LD3-12S12A			12	250			
LD3-12S15A			15	200			
LD3-12S24A			24	125			
LD3-12D05A			±5	300	-5	300	
LD3-12D12A			±12	125	-12	125	
LD3-12D15A			±15	100	-15	100	
LD3-12D24A			±24	62.5	-24	62.5	
LD3-18S05A	18	9-36	5	600			
LD3-18S12A			12	250			
LD3-18S15A			15	200			
LD3-18S24A			24	125			
LD3-18D05A			±5	300	-5	300	
LD3-18D12A			±12	125	-12	125	
LD3-18D15A			±15	100	-15	100	
LD3-18D24A			±24	62.5	-24	62.5	
LD3-24S05A	24	18-36	5	600			
LD3-24S12A			12	250			
LD3-24S15A			15	200			
LD3-24S18A			18	167			

LD3-24S24A			24	125					
LD3-24D05A			+5	300	-5	300			
LD3-24D12A			+12	125	-12	125			
LD3-24D15A			+15	100	-15	100			
LD3-24D24A			+24	62.5	-24	62.5			
LD3-36S05A	36	18-75	5	600					
LD3-36S12A			12	250					
LD3-36S15A			15	200					
LD3-36S24A			24	125					
LD3-36D05A			+5	300	-5	300			
LD3-36D12A			+12	125	-12	125			
LD3-36D15A			+15	100	-15	100			
LD3-36D24A			+24	62.5	-24	62.5			
LD3-48S05A			48	36-72	5	600			
LD3-48S12A					12	250			
LD3-48S15A	15	200							
LD3-48S24A	24	125							
LD3-48D05A	+5	300			-5	300			
LD3-48D12A	+12	125			-12	125			
LD3-48D15A	+15	100			-15	100			
LD3-48D24A	+24	62.5			-24	62.5			

customized accepted ,pls contact sales for details

Input Specifications

Input Voltage	Input Voltage Range (Vdc)	Nom(Vdc)	Max (Vdc)
	4.5-9	5	9
9-18	12	18	
9-36	18	36	
18-36	24	36	
18-75	36	75	
36-72	48	72	

Hot Plug

Unavailable

Output Specifications

Item	Typ	Max	Test Conditions
Voltage Accuracy	±1%	±2%	0-100% load
Line Regulation	±0.2%	±0.5%	Input voltage variation from low to high at full load
Load Regulation	±0.5%	±1%	5%-100% load
Ripple&Noise	60mVp-p	100mVp-p	20MHz bandwidth, 5%-100% load
Short-circuit Protection	Continuous, self-recovery		

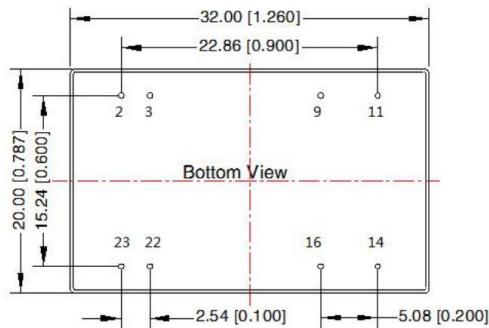
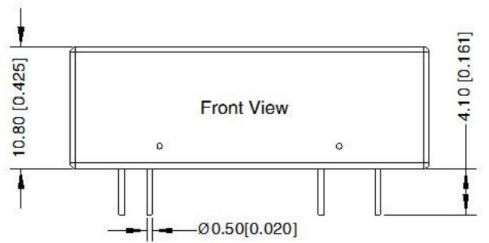
General Specifications

Switching Frequency	180KHz(Typ)	PWM mode
---------------------	-------------	----------

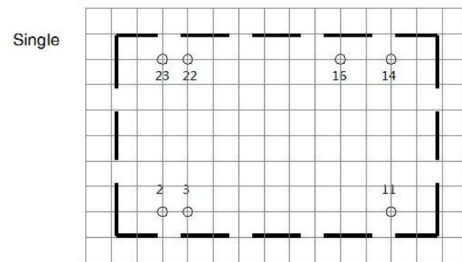
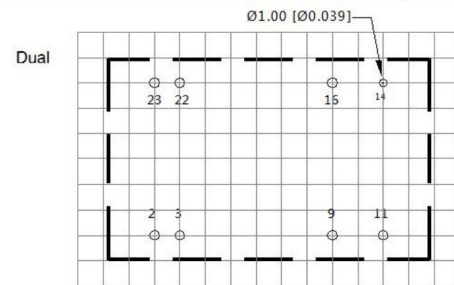
MTBF	1000K hours	MIL-HDBK-217F@25°C
Isolation (Input-Output)	1.5KVDC	
Insulation Resistance	1000MΩ	Input-output resistance 500Vdc
Operating Temperature	-40~+85°C	
Storage Temperature	-55~+125°C	
Storage Humidity	5-95%RH	Non-condensing
Cooling Method	Free air convection	
Case Material	Aluminum alloy or plastics	
Weight	12g (Typ)	

**Unless specified, otherwise all other parameters are tested under the following conditions: nominal input voltage, pure resistive load, 25°C room temperature environment.

Dimensions and Recommended Layout



Note:
Unit: mm[inch]
Pin diameter tolerances: ± 0.10 [± 0.004]
General tolerances: ± 0.50 [± 0.020]

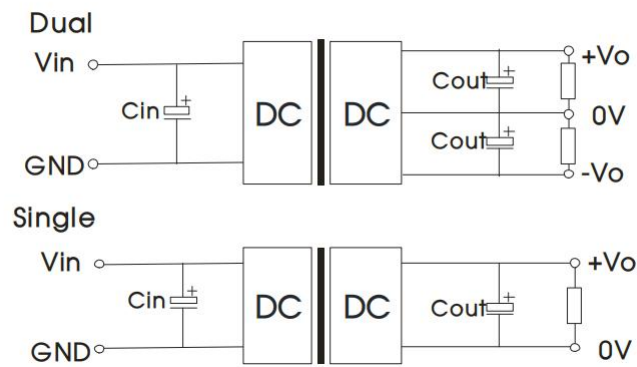


Note: Grid 2.54*2.54mm

Pins

Pin	Single	Dual	
2,3	GND	GND	
9	No Pin	0V	
11	NC	-Vo	
14	+Vo	+Vo	
16	0V	0V	
22,23	Vin	Vin	

Recommended Circuit



Recommended input and output capacitor values

Vin	Cin	Cout		
5	100uF/16V			
12	100uF/25V			
24	10uF/50V-47uF/50V			
48	10uF/100V-47uF/100V			

Noted

1. Input current: Ensure that the output current of the power supply meets the instantaneous starting current of the power module (that is, twice the average input current of the power module).
2. Output load requirements: Avoid no-load use. When the actual power consumption of the load is less than 10% of the rated output power of the module or no load occurs, connect an external resistance to the output end (the sum of the external resistance and the load power is greater than or equal to 10% of the rated load) or select a module with a smaller rated power.
3. The external capacitance of the output end should not be too large; otherwise, the module may be overcurrent or poorly started. For details, see the external capacitance recommendation table.
4. External LC filter circuit can be connected for occasions with high ripple noise requirements.

*The final interpretation right of the product belongs to ECCO ELECTRONICS.