

Typical Performance

FEATURES

- Wide Input voltage range (2:1)
- Typical Efficiency:85%
- Switching frequency: 300KHz
- Working temperature:-40~+85°C
- Output Over current protect,Short circuit protection
- input under voltage protection,output over voltage protection
- input-output isolated
- PCB Board in-line type installs
- High reliability
- Optional heat sink



3-Years Product Warranty

Technology parameter Test condition:General Nominal Line,Tc=25°C , Rated resistant load unless other wispecified

Input Features	Min	Nom	Max	Notes
	Test condition			
Start voltage	96V(65~150Vin)			65V
	110V(82~180Vin)			82V
	280V(200~400Vin)			200V
Input under voltage protection	96V(65~150Vin)			60V
	110V(82~180Vin)			70V
	280V(200~400Vin)			180V
Input voltage (Vdc)	65	96	150	W 2:1
	82	110	180	W 2:1
	200	280	400	W 2:1
Start time	Not capacitive load			20mS

Remote On/Off Function

CTL	CNT Pin connect -Vin			ON
-----	----------------------	--	--	----

	CNT Pin left open		OFF
--	-------------------	--	-----

Output Feature

	Test condition		
Voltage accuracy	$I_o=0.1\dots 1.0\times I_{onom}, V_i=V_{rated}$		$\pm 1.0\%$
Line regulation	$V_{imin}\leq V_i\leq V_{imax}$		$\pm 0.2\%$
Load regulation	$I_o=0.1\dots 1.0\times I_{onom}, V_{imin}\leq V_i\leq V_{imax}, V_i=V_{rated}$		$\pm 0.5\%$
Ripple&noise	2-MHz Broadband		1%
Over current protection	$V_{imin}\leq V_i\leq V_{imax}$		120%
Peak Deviation	25% Rated Load Vary		$\pm 5.0\%$
Dynamic Response Setting Time			400us
Output Voltage Trim	$V_{imin}\leq V_i\leq V_{imax}$		10%
Switching frequency	$V_{imin}\leq V_i\leq V_{imax}$		300KHz

General Feature

	Test condition		
Efficiency			85% typical
Working environment temperature	Military level		$-40^{\circ}\text{C} \sim +85^{\circ}\text{C}$
Max Board temperature			$+105^{\circ}\text{C}$
Storage temperature	Military level		$-50^{\circ}\text{C} \sim +105^{\circ}\text{C}$
Relative humidity	No condensation		5%~90%RH
Temperature coefficient			$\pm 0.02\%/^{\circ}\text{C}$
case material			aluminium baseplate
Isolated resistance	Input-Output		100M ohm
Vibration resistance	10~55Hz		5G
Over current mode	Full input range	Protection type : Hiccup mode, recovers automatically	
Cooling		Heatsink,nature cooling	
Case material		epoxy,Aluminum base plate	
Isolated Voltage	Input-output 1500Vdc; input-FG 1500Vdc,Output-FG 500Vdc		
MTBF	MIL-HDBK-217F2		5×10^6 Hrs

Product Nomination Method

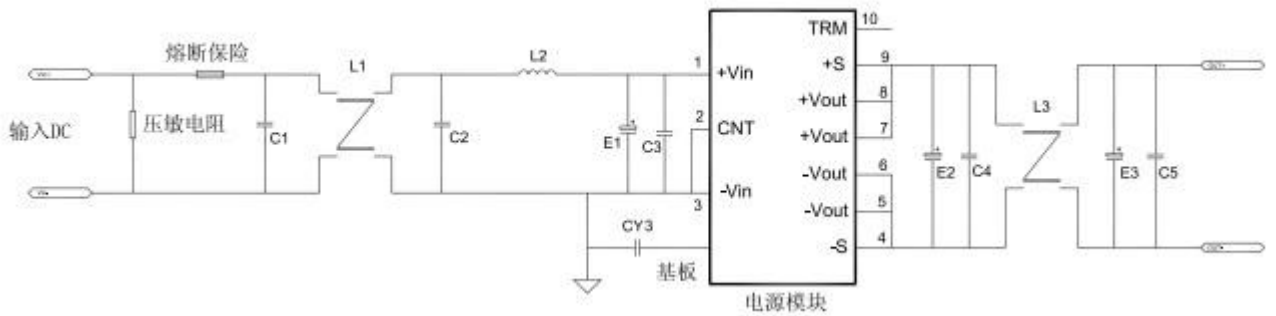
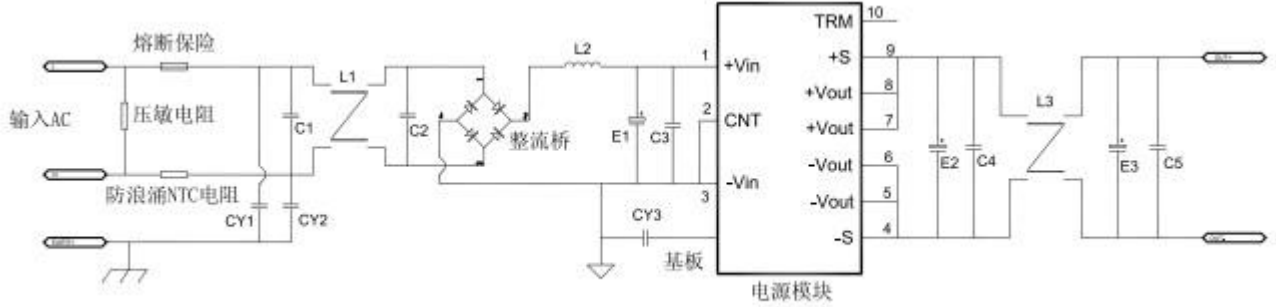
example	L D 200 – H 48 S 12					
	①	②	③	④	⑤	⑥ ⑦
①	Wide input voltage: 2: 1			④	H:high voltage input	
②	Power adaptation mode: D (DC-DC)			⑤	Normal input voltage	
③	Output power(W)			⑥	S=Single route output	
⑦	output voltage					

Product Program

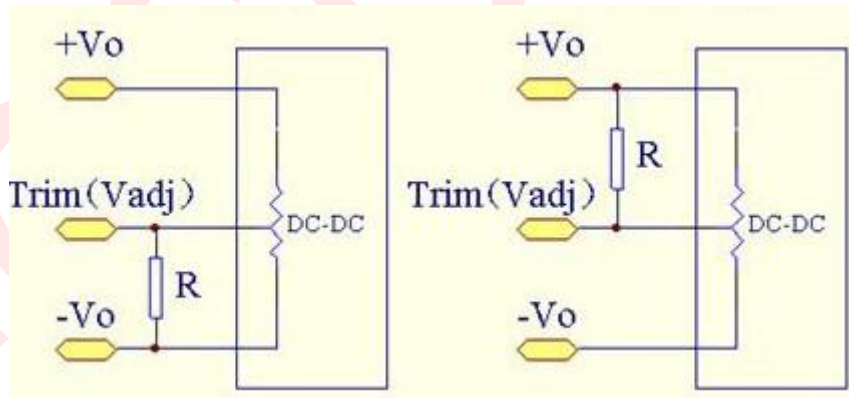
PART #	Input voltage range	Output voltage / current				
		VO1		VO2		Typical Efficiency
		V	A	V	A	
LD600H-96S24H	96V(65~150V)	24V	25A			89
LD600H-96S28H		28V	21.4A			89
LD600H-96S48H		48V	12.5A			89
LD600H-110S24H	110V(82~180V)	24V	25A			89
LD600H-110S28H		28V	21.4A			89
LD600H-110S48H		48V	12.5A			89
LD600H-300S24H	300V(200~400V)	24V	25A			89
LD600H-300S28H		28V	21.4A			89
LD600H-300S48H		48V	12.5A			89

Recommended Circuit

Rated voltage	Fuse	voltage dependent resistor	rectifier bridge	NTC	C1C2C3	CY1CY2CY3	E1
110V	20A	300V	40A	4Ω/Φ20	105/200V	472/3KV	1000μF/200V
220V	10A	560V	20A	5Ω/Φ20	105/400V	472/3KV	1000μF/400V



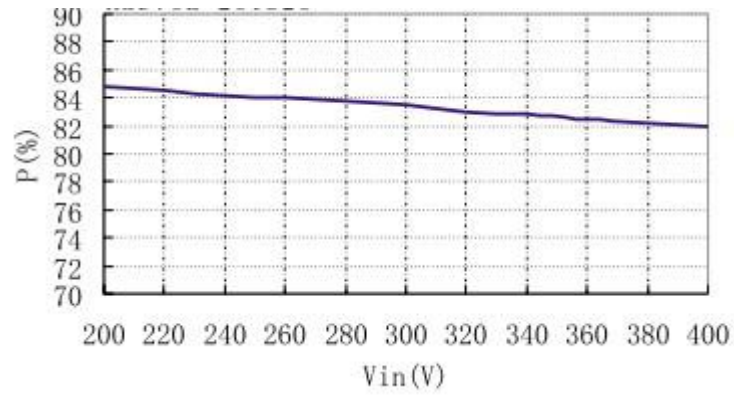
TRIM



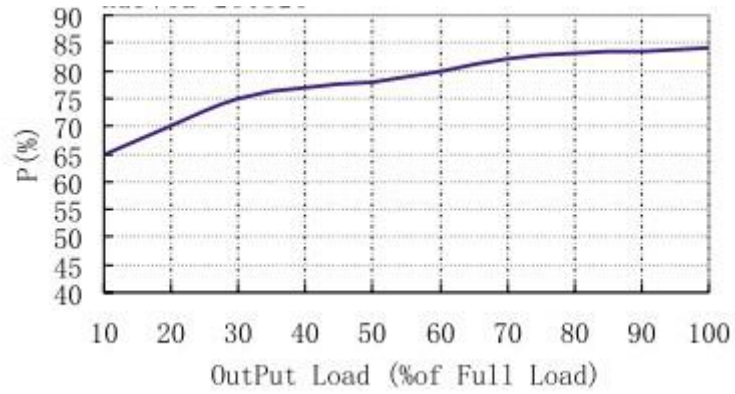
Raise output voltage

Low output voltage

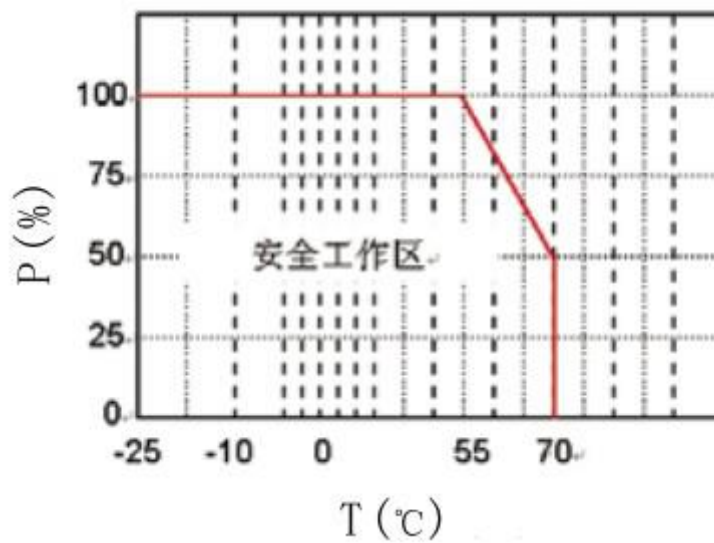
Input voltage--Efficiency



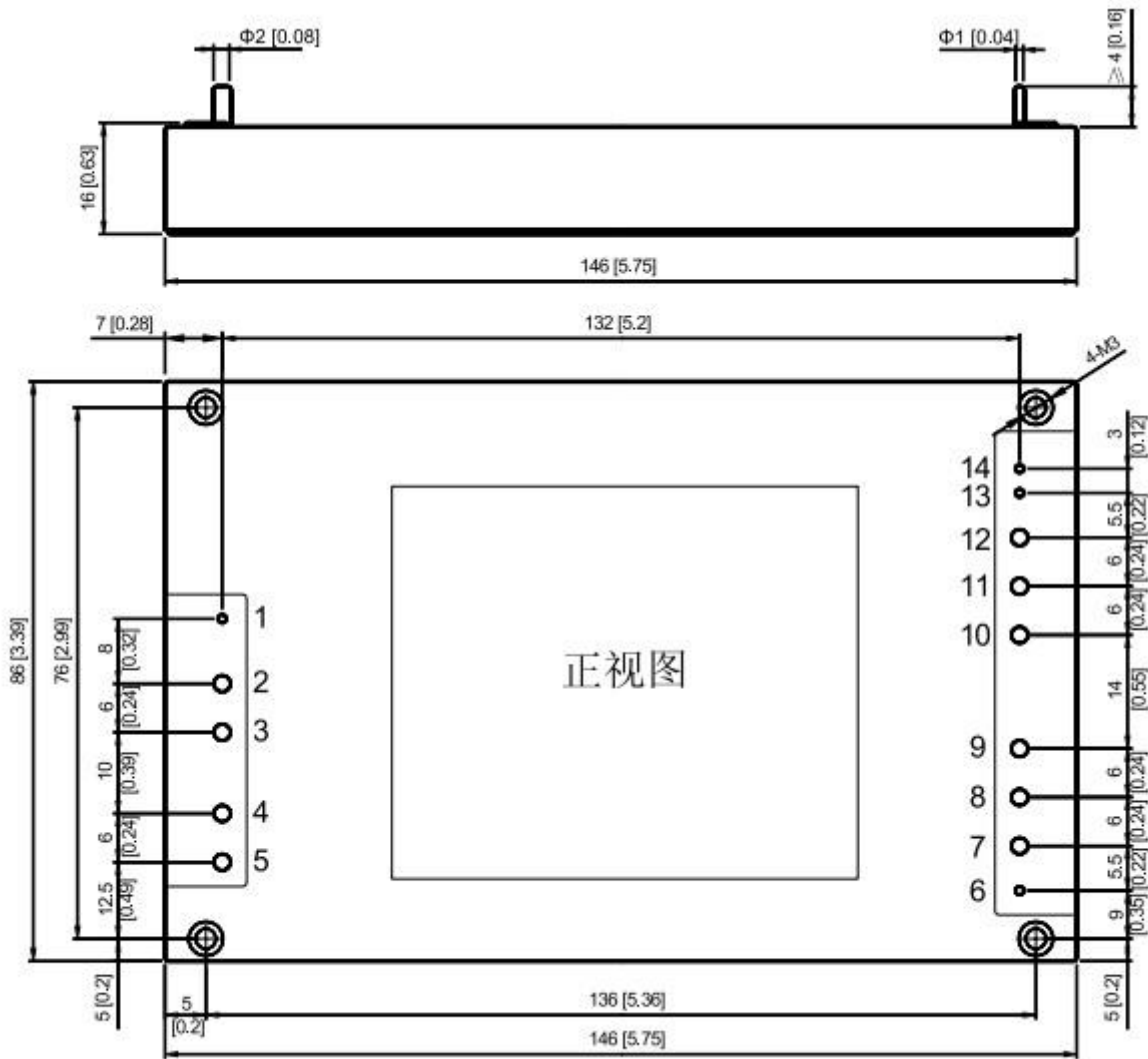
Output Load--Efficiency



Temperature Curve



Mechanical Dimension



BOTTOM VIEW

Unit:mm(inch)

Tolerance:±0.2mm(±0.008inch)

Mechanical Data

WATT	L x W x H	Packing No.
600W	146*86*16mm	

Pin Assignment

Pin	1	2	3	4	5	6	7	8	9	10	11	12	13	14
Single O/P	CTL	-Vin	-Vin	+Vin	+Vin	+S	+Vout	+Vout	+Vout	-Vout	-Vout	-Vout	-S	TRIM

*Note: The power modules such as the definition of the pin does not match with the hand book,please refer to the actual item.