

3W AC/DC converter

Typical Performance

- ⊙Wide input voltage range
- ⊙Typical efficiency : 78%
- ⊙Switching frequency: 60 KHz
- ⊙Overcurrent/Short circuit protection,Self-furbish
- ⊙Input-output isolate
- ⊙PCB board in-line type installs
- ⊙Metal case



Technology parameter Test condition:General Nominal Line,Tc=25°C , Rated resistant load unless other wise specified

Input Feature	Min	Nom	Max	Notes
Input voltage (Vac)	165(200Vdc)	220	265(380Vdc)	N
	85(120Vdc)	220	265(380Vdc)	W
Frequency range(Hz)	47		440	
Remote ON/OFF				NONE

Output Feature

Voltage accuracy		Vo1; Vo2, Vo3;	±1.0%, ±3.0%
Line regulation	Nominal load,full voltage input range	Vo1; Vo2, Vo3;	±0.1%; ±1.5%
Load regulation	Nominal Input voltage,20% ~ 100% nominal load	Vo1; Vo2, Vo3;	±0.5%; ±3.0%
Ripple and noise	20MHz BM,test by 20M oscillograph		≤1%Vo
Peak deviation	25% Rated load vary	ΔVo1/ Vo1	≤±5.0%
Dynamic response setting time			≤200us

General Feature

Efficiency			78% typical
Switching frequency			60KHz typical
Operating temperature			-20°C ~ +70°C
Storage temperature			-40°C ~ +105°C

Max case temperature			+90℃
Relative humidity			10%~90%
Case material			Metal case
Isolation voltage		Input-Output	2500Vac/1min
		Input-Case	2500Vac/1min
		Output-Case	500Vac/1min
Temperature coefficient			≤±0.03%/℃
Cooling			Natural convection
MTBF	BELLCORE TR332, (25℃)		2X10 ⁵ Hrs

NOTE:

(1)The module working environment temperature more than 70 ℃ need derating use (- 0.15W/℃), but the max shell temperature shall not be more than 90 ℃.

(2)Capacitive load:

The output of the module can be applied electrolytic capacitor, but too much capacity and low ESR may cause the module instability, or cause current limiting point become low,we recommend 100 uF/A of the output capacitance , the current is rated output current.

Product Nomination Method

example	L A 25 - 220 S 05 J						
	①	②	③	④	⑤	⑥	⑦
①	Wide input voltage range: AC85-265V Narrow input voltage range: AC165-265V			⑤	S=Single route output, D=Dual route output, T=Triple route output, Q=Quadruple output		
②	Power adaptation mode: A (AC-DC)			⑥	output voltage		
③	Output Power(W)			⑦	I: Dual output isolated		
④	Normal input voltage				J:Millitary level		

Product Program

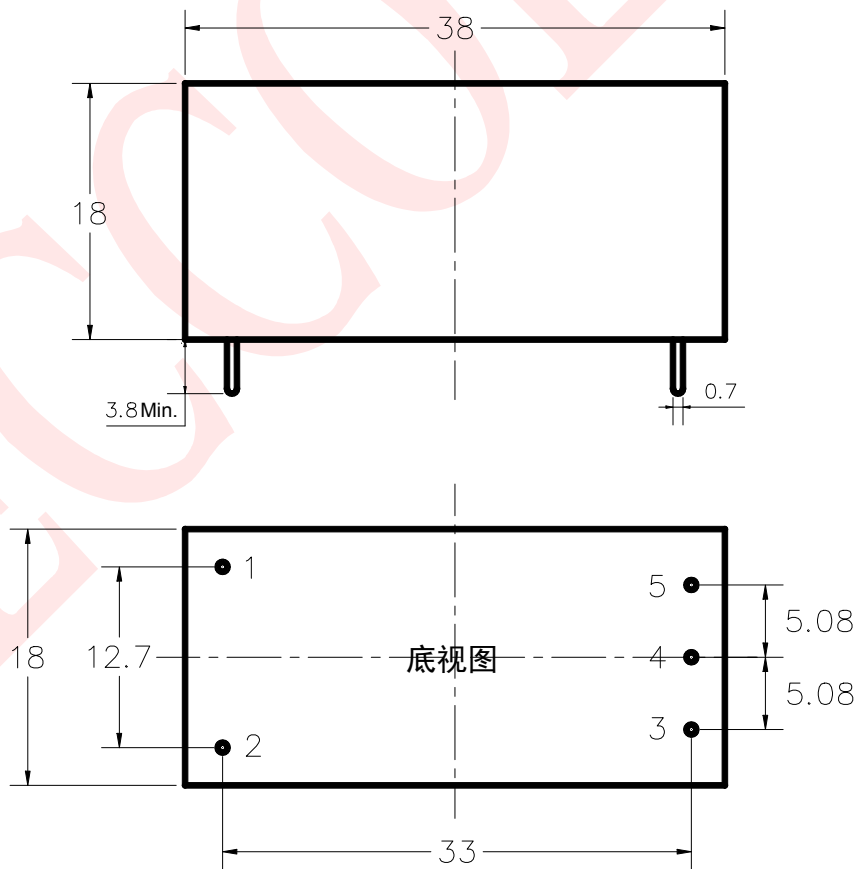
PART #	Input voltage range	Output voltage / current					
		VO1		VO2		VO3	
		V	mA	V	mA	V	mA
LA3-220S2V1B	220V(85~265VAC) 120~380VDC	2.1V	600mA				
LA3-220S3V3B		3.3V	600mA				
LA3-220S05B		5V	600mA				
LA3-220S06B		6V	500mA				
LA3-220S09B		9V	330mA				
LA3-220S12B		12V	250mA				
LA3-220S15B		15V	200mA				

LA3-220S18B		18V	160mA				
LA3-220S24B		24V	120mA				
LA3-220S48B		48V	60mA				
LA3-220D3V3B		+3.3V	300mA	-3.3V	300mA		
LA3-220D05B		+5V	300mA	-5V	300mA		
LA3-220D06B		+6V	250mA	-6V	250mA		
LA3-220D09B		+9V	165mA	-9V	165mA		
LA3-220D12B		+12V	125mA	-12V	125mA		
LA3-220D15B		+15V	100 mA	-15V	100 mA		
LA3-220D24B		+24V	60 mA	-25V	60 mA		
LA3-220D48B		+48V	30 mA	-48V	30 mA		
LA3-220D05IB		+5V	300 mA	+5V	300 mA		
LA3-220S5S12IB		+5V	350 mA	+12V	100 mA		

***NOTE:**

The output ripple noise (peak value) measurement, please reference module test instructions.

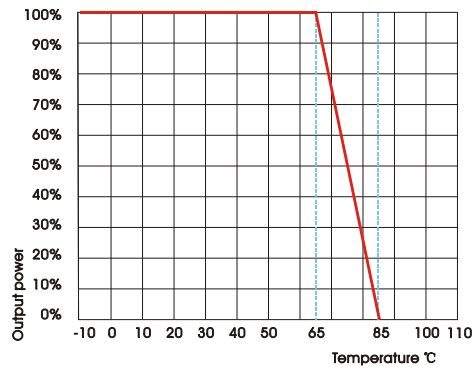
Mechanical Dimension



BOTTOM VIEW

UNIT:mm

Temperature Curve



Mechanical Data

WATT	L x W x H	Packing No.
3W	38.0 x 18.0 x 18.0(1.5*0.71*0.71inch)	B

Pin Assignment

PIN	1	2	3	4	5				
Single O/P	AC(L)	AC(N)	GND	NP	Vo1				
Dual O/P	AC(L)	AC(N)	Vo2	COM	Vo1				

Note: The power modules such as the definition of the pin does not match with the hand book, please refer to the actual item.