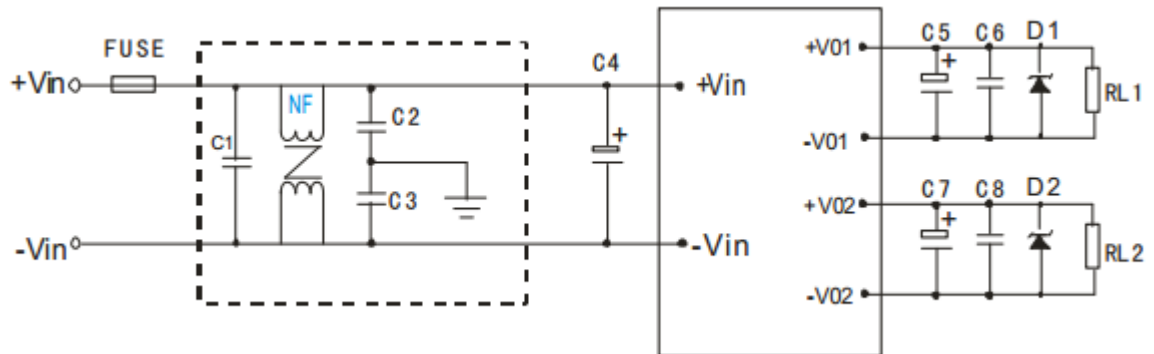


## PV power supply Application Notes

### Typical application:



- (1).C5,C7 is electrolytic capacitor,we advise to use High frequency low resistance electrolytic capacitor,the value is >80%, C6,C8 is for removing the high frequency noise,D1,D2 is TVS,it is for protecting the behind circuit.
- (2). dotted is for EMC,if you have no EMC need,you can remove it when you use.